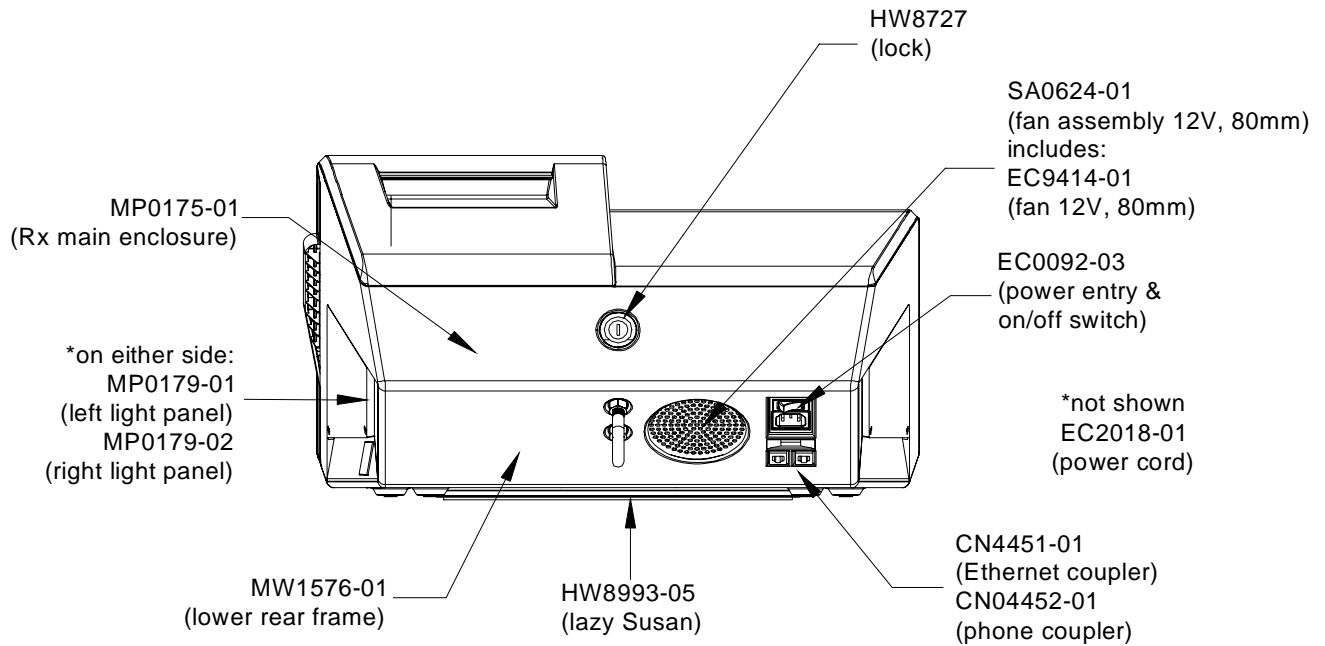


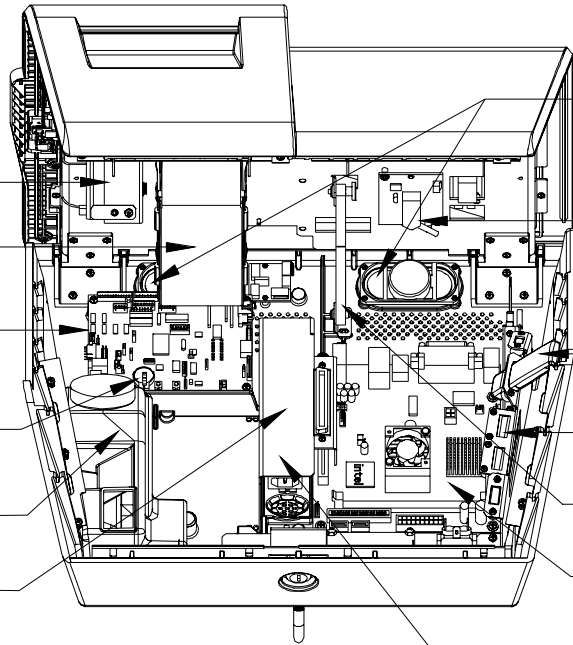
FRONT VIEW OF THE MEGATOUGH ION RX



REAR VIEW OF THE MEGATOUGH ION RX

*not shown
 EC0094-03
 (USB I/O cable)
 MP0174-01
 (coin rejector lever)
 MW1571-01
 (coin mech bracket)

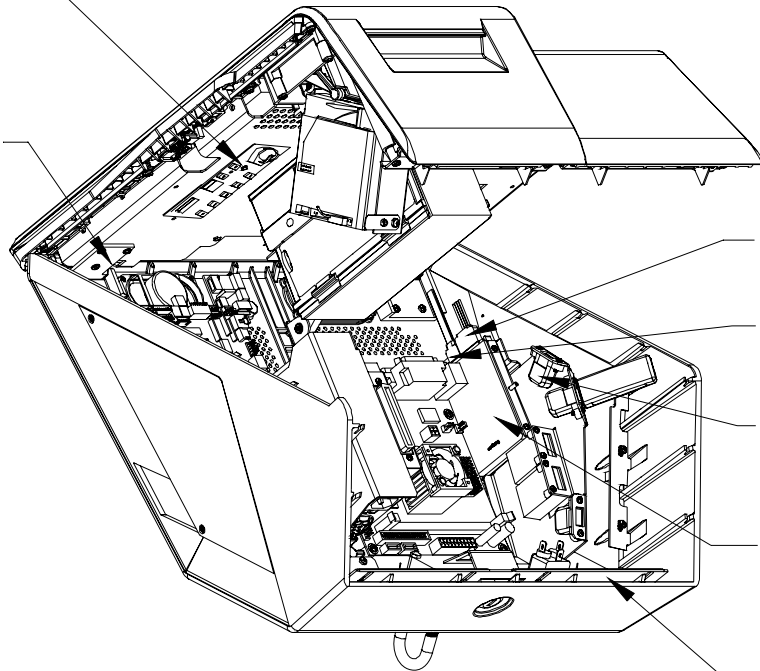
HW8337-01
 (coin rejector)
 EC9788-01
 (bill acceptor)
 SB0527-08
 (I/O board)
 SA3590-XX
 (security key)
 MP0172-01
 (coinbox)
 SA0632-01
 (international coin box)
 MW1569-01
 (power supply bracket)



EC0101-03
 (dual speaker assembly)
 SB0477-01
 (touchscreen controller)
 EC0158-05
 (touchscreen controller cable)
 EC0148-02
 (USB wireless adapter)
 SA0309-04
 (meter assembly)
 HW0134-01
 (monitor support arm)
 SA10078-02
 (Intel Little Falls motherboard)
 EC7538-10
 (power supply)

REAR VIEW OF AN OPEN MEGATOUGH ION RX

SA10066-03
 (OSD board)
 EC0332-04
 (OSD cable)
 MW1574-01
 (hinge arm assembly -
 on lid)
 MW1575-02
 (bracket hinge -
 on base)



*not shown
 MW1578-01
 (Rx case latch)
 MW1625-01
 (lid bracket)
 SA10071-01
 (master light show board)
 SA10073-02
 (slave light show board)
 SA10073-03
 (slave light show board)
 EC0358-03
 (SATA software upgrade cable)

EC0359-01
 (SATA hard drive power cable)
 EC0358-01
 (SATA hard drive cable)
 EC0369-02
 (external SATA hard drive cable)
 SB0546-08
 (Ion 2010.5 hard drive assembly)
 MW1079-02
 (hard drive bracket)
 MW1577-01
 (upper rear hinge)

ANGLED REAR VIEW OF AN OPEN MEGATOUGH ION RX

ION RX WIDESCREEN PARTS LIST

| Item | Description |
|------------|---|
| CN4451-01 | ETHERNET COUPLER |
| CN4452-01 | PHONE COUPLER |
| EC0092-04 | INLET A/C-SWITCH CIRCUIT BREAKER |
| EC0094-03 | I/O USB CABLE |
| EC0097-04 | 16.5" ON-SCREEN DISPLAY CABLE |
| EC0101-03 | SPEAKER ASSEMBLY - DUAL FLAT PANEL |
| EC0148-02 | USB WIRELESS ADAPTER |
| EC0158-05 | 9" TOUCHSCREEN CONTROLLER CABLE |
| EC0200-01 | LIGHT SHOW CABLE |
| EC0332-04 | OSD CABLE |
| EC0358-01 | SATA HARD DRIVE CABLE |
| EC0358-03 | SATA SOFTWARE UPGRADE CABLE |
| EC0359-01 | SATA HARD DRIVE POWER CABLE |
| EC0362-02 | CREDIT CARD READER |
| EC0375-02 | 9" VGA CABLE |
| EC0367-02 | CREDIT CARD READER CABLE |
| EC0369-02 | EXTERNAL SATA HARD DRIVE CABLE |
| EC0371-01 | COIN-AND-BILL ACCEPTOR LIGHT SHOW CABLE |
| EC0372-01 | LCD LIGHT SHOW CABLE |
| EC2018-01 | POWER CORD |
| EC7538-10 | POWER SUPPLY, V4, 300W, +5, +3.3 |
| EC9414-01 | FAN, 12V, 80MM |
| EC9788-02 | BILL ACCEPTOR \$1/\$2/\$5 |
| HW0134-01 | MONITOR SUPPORT ARM |
| HW8337-01 | IMONEX COIN REJECTOR |
| HW8727 | LOCK |
| HW8993-05 | 12" DIAM. 15" STOPS LAZY SUSAN |
| MP0167-01 | MARS BILL ACCEPTOR OUTER INSERT |
| MP0168-01 | MARS BILL ACCEPTOR INNER INSERT |
| MP0169-01 | RX INNER BEZEL |
| MP0170-01 | RX OUTER BEZEL |
| MP0171-01 | CARD READER |
| MP0172-01 | COINBOX |
| MP0173-01 | COIN REJECTOR BUTTON |
| MP0174-01 | COIN REJECTOR LEVER |
| MP0175-01 | RX MAIN ENCLOSURE |
| MP0179-01 | LEFT LIGHT PANEL |
| MP0179-02 | RIGHT LIGHT PANEL |
| MW1079-02 | HARD DRIVE BRACKET |
| MW1569-01 | POWER SUPPLY BRACKET |
| MW1571-01 | COIN MECH BRACKET |
| MW1575-02 | BRACKET-HINGE |
| MW1576-01 | LOWER REAR FRAME |
| MW1577-01 | UPPER REAR HINGE |
| MW1578-01 | RX CASE LATCH |
| MW1595-01 | LCD SUPPORT BRACKET |
| MW1625-01 | LID BRACKET |
| SA0309-04 | METER |
| SA0624-01 | FAN ASSY, 12V, 80MM, 40CFM |
| SA0632-01 | INTERNATIONAL COIN BOX |
| SA10066-03 | OSD BOARD |
| SA10071-01 | MASTER LIGHT SHOW BOARD |
| SA10073-02 | SLAVE LIGHT SHOW BOARD VERSION 2 |
| SA10073-03 | SLAVE LIGHT SHOW BOARD VERSION 3 |
| SA10078-02 | ION INTEL LITTLE FALLS MOTHERBOARD |
| SA3590-XX | ION 2010 SECURITY KEY |
| SB0477-01 | USB TOUCHSCREEN CONTROLLER |
| SB0527-08 | I/O BOARD |
| SB0546-08 | 2.5" ION 2010.5 HARD DRIVE PROGRAM ASSEMBLY |
| SB0616-01 | TOUCHSCREEN REPLACEMENT KIT |
| SB0619-01 | WIDESCREEN LCD REPLACEMENT KIT |