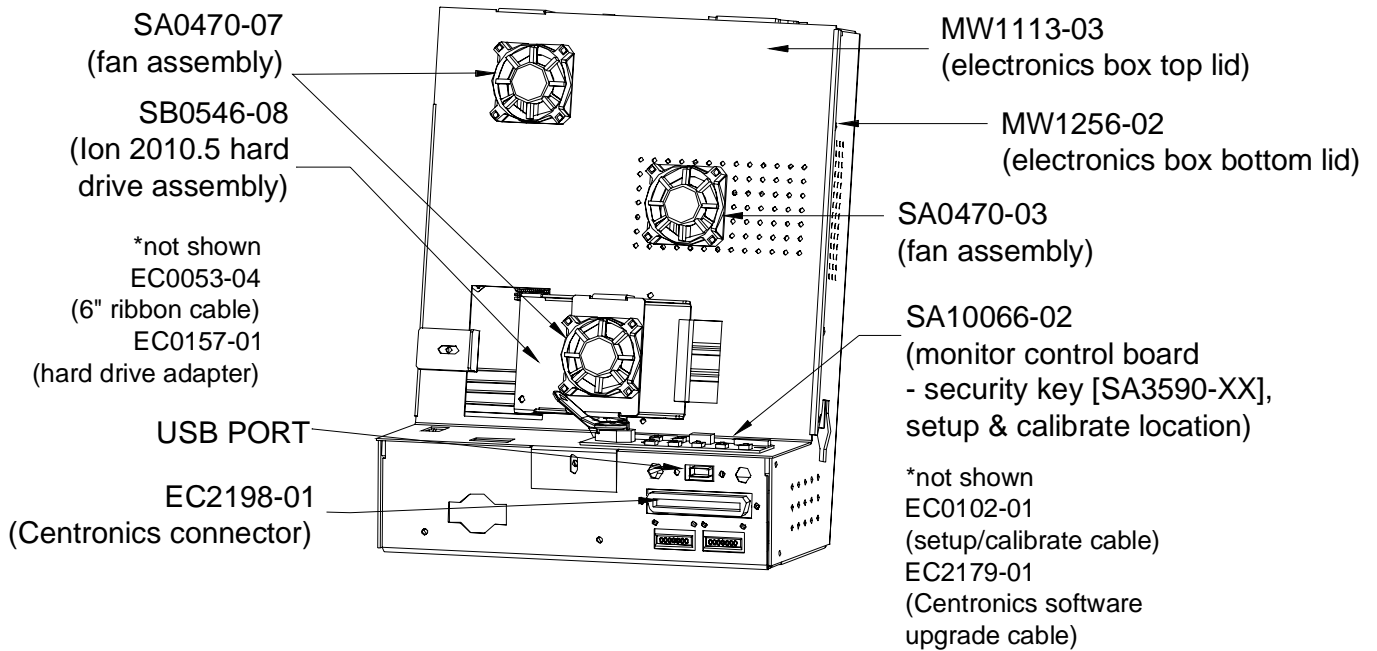
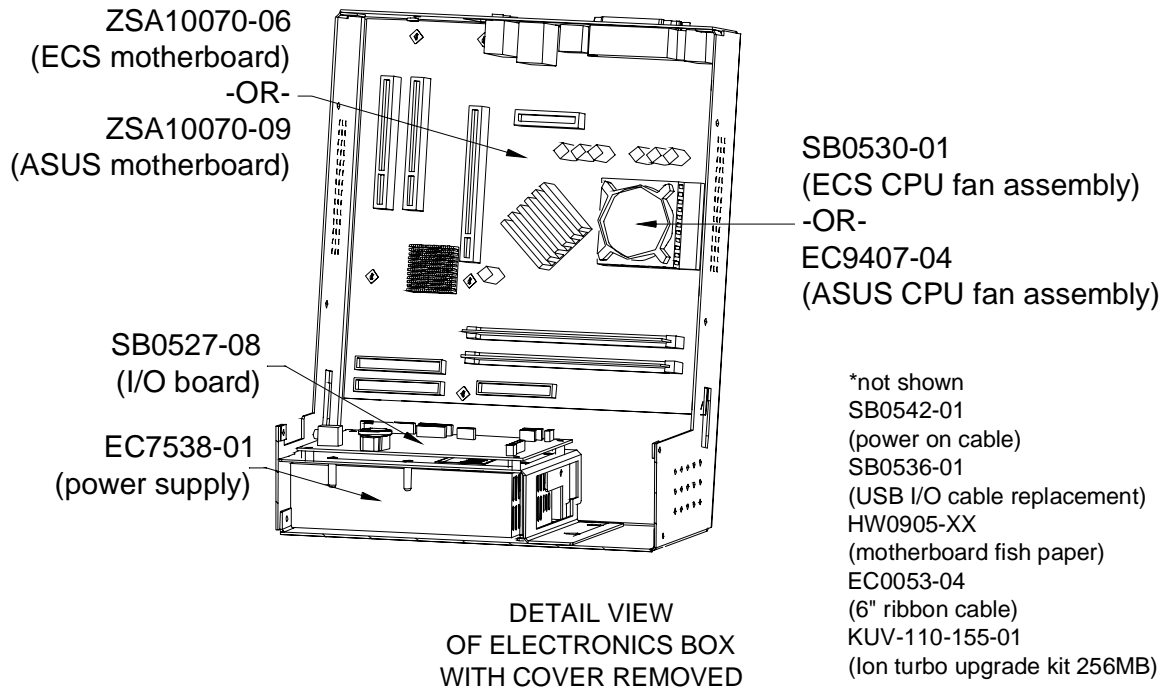
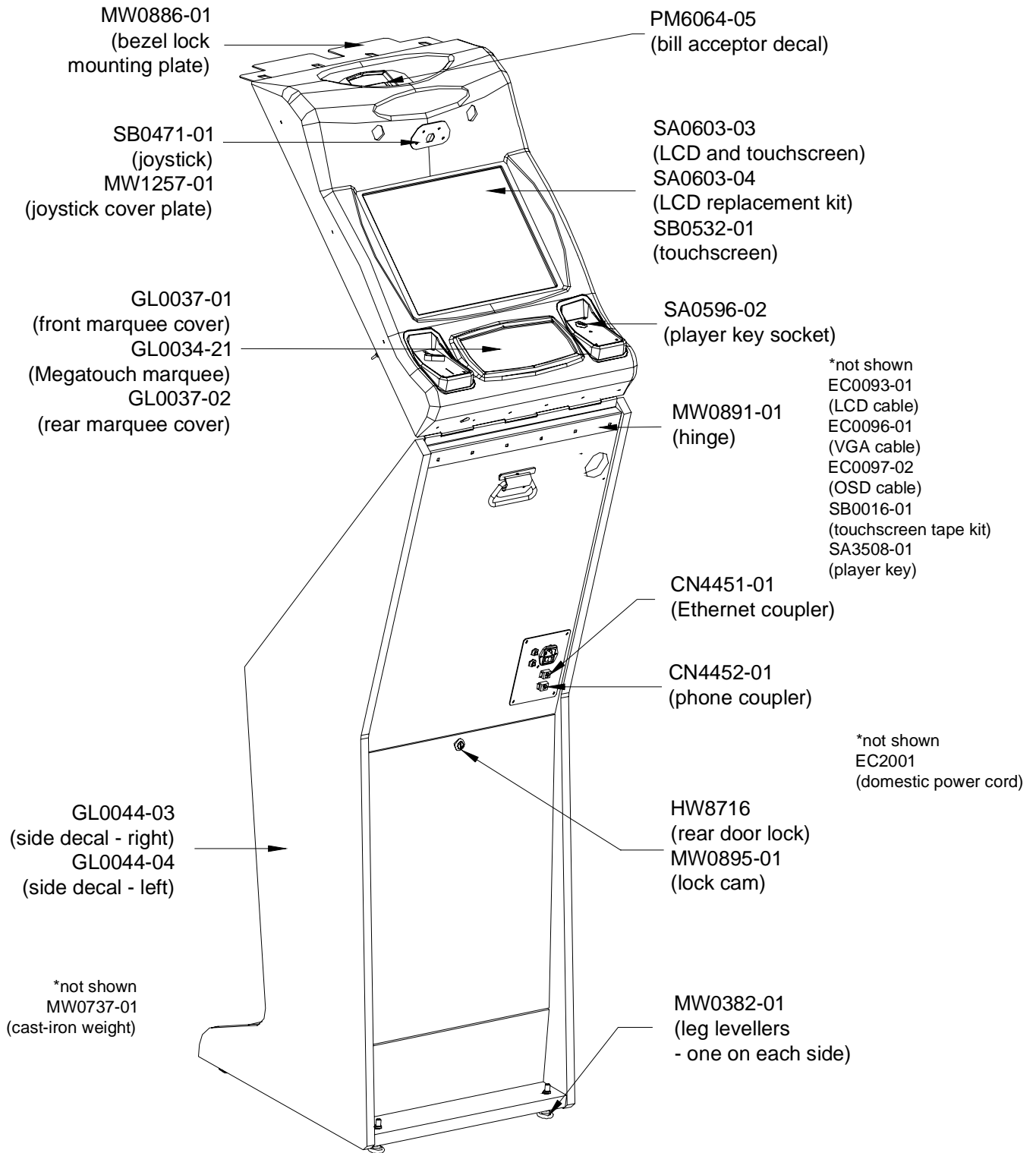


FRONT VIEW OF THE FUSION WITH THE BEZEL OPEN



DETAIL VIEW
OF ELECTRONICS BOX
WITH COVER ON

FUSION ELECTRONICS BOX



REAR VIEW OF THE FUSION WITH THE BEZEL OPEN

ION FUSION PARTS LIST

Item	Description
CN4451-01	ETHERNET COUPLER
CN4452-01	PHONE COUPLER
EC0053-04	6", 40-PIN, 80-CONNECTOR, ATA100 RIBBON CABLE
EC0093-01	3" DC LCD POWER CABLE
EC0096-01	28" VGA CABLE
EC0097-02	36" ON-SCREEN DISPLAY CABLE
EC0102-01	SETUP & CALIBRATE CABLE
EC0148-02	USB WIRELESS ADAPTER
EC0157-01	2.5" HARD DRIVE IDE ADAPTER
EC0158-02	26" USB TOUCHSCREEN CONTROLLER CABLE
EC2001	POWER CORD - USA
EC2179-01	CENTRONICS SOFTWARE UPGRADE CABLE
EC7538-01	200-WATT POWER SUPPLY
EC9407-04	60MM, 7.4CFM CPU FAN FOR ASUS MOTHERBOARD
EC9702-XX	SMILEY BILL ACCEPTOR
EC9796-06	\$1, \$2 & \$5 BILL ACCEPTOR WITH 700-NOTE STACKER
GL0034-21	MEGATOUCH MARQUEE SIGN
GL0035-02	ION BOTTOM DECAL
GL0037-01	FRONT MARQUEE PLASTIC
GL0037-02	BACK MARQUEE PLASTIC
GL0044-03	RIGHT SIDE DECAL
GL0044-04	LEFT SIDE DECAL
HW0905-XX	MOTHERBOARD INSULATOR (FISH PAPER)
HW4343	SEMS 6-32 x 5/8"L PAN HEAD PHILLIPS MACHINE SCREW (SECURING B/A)
HW7901-01	COIN CHUTE/PIPE
HW8249	COIN MECH
HW8716	FRONT BEZEL & REAR DOOR LOCKS
HW8727-02	KEYED DIFFERENT CAM LOCK, 1-3/8"L BARREL WITHOUT CAM, CAPTIVE KEY (FOR CASH DOOR)
HW9996-01	THUMBNUTS
KUV-110-155-01	KIT - ION TURBO UPGRADE 256MB
MP0054-09	FRONT BEZEL
MW0382-01	LEG LEVELLERS
MW0718-05	POWER ENTRY PLATE
MW0737-01	CAST-IRON WEIGHT
MW0886-01	BEZEL LOCK MOUNTING PLATE
MW0887-01	CATCH BRACKET
MW0889-01	CASH PANEL
MW0890-01	SPEAKER PANEL
MW0890-02	TRIM SPEAKER PANEL
MW0891-01	HINGE
MW0893-01	BEZEL BRACKET
MW0894-01	UPPER COIN ENTRY BRACKET
MW0894-02	LOWER COIN ENTRY BRACKET
MW0895-01	BEZEL & REAR DOOR LOCK CAM
MW0896-01	CASH PANEL LOCK CAM
MW0902-01	FOOT PANEL
MW1113-03	ELECTRONICS BOX TOP LID
MW1256-02	ELECTRONICS BOX BOTTOM LID
MW1257-01	JOYSTICK COVER PLATE
PM6064-05	\$1, \$2 & \$5 BILL ACCEPTOR DECAL FOR THE USA
SA0307-02	60mm FAN ASSEMBLY
SA0470-03	50mm FAN ASSEMBLY (ON FACE OF ELEC. BOX, ON TOP OF HARD DRIVE)
SA0470-07	50mm FAN ASSEMBLY (2 ON FACE OF ELEC. BOX)
SA0590-10	ELECTRONICS BOX
SA0596-02	KEY READER (PLAYER KEY SOCKET) ASSEMBLY
SA0603-03	17" LCD & TOUCHSCREEN
SA0603-04	17" LCD REPLACEMENT KIT
SA10066-02	OSD SMART PANEL (MONITOR CONTROL BOARD)
SA3508-01	PLAYER KEY
SA3590-XX	ION 2010 SECURITY KEY
SA4084	2-PIN CONNECTION, 4" SPEAKER ASSEMBLY
SB0016-01	KIT TOUCHSCREEN TAPE
SB0471-01	JOYSTICK ASSEMBLY
SB0477-01	USB TOUCHSCREEN CONTROLLER
SB0527-08	I/O BOARD
SB0530-01	KIT CPU FAN ASSEMBLY FOR ECS MOTHERBOARD
SB0532-01	17" TOUCHSCREEN
SB0536-01	USB I/O CABLE REPLACEMENT
SB0542-01	ION POWER ON CABLE
SB0546-08	2.5" ION 2010.5 HARD DRIVE PROGRAM ASSEMBLY
ZSA10070-06	ION ECS MOTHERBOARD
ZSA10070-09	ION ASUS MOTHERBOARD