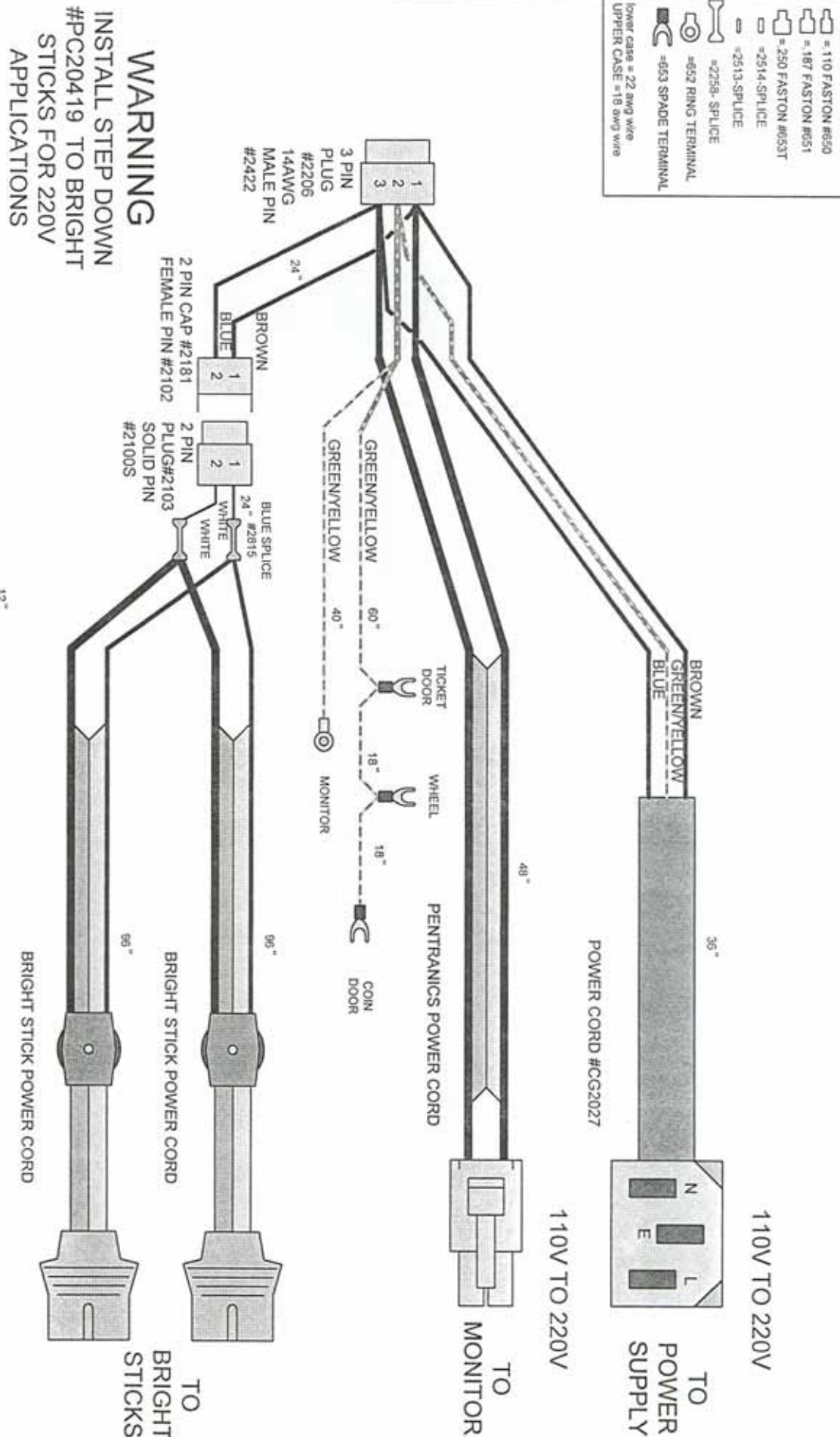
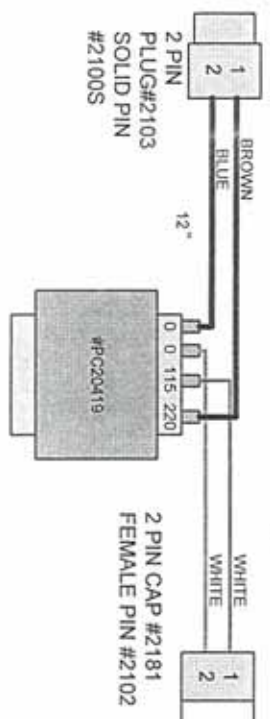


LEGEND

- = 110 FASTON #650
 - = 187 FASTON #651
 - = 250 FASTON #653T
 - = 2514-SPLICE
 - = 2513-SPLICE
 - = 2258- RING TERMINAL
 - = 603 SPADE TERMINAL
- lower case = 22 awg wire
UPPER CASE = 18 awg wire

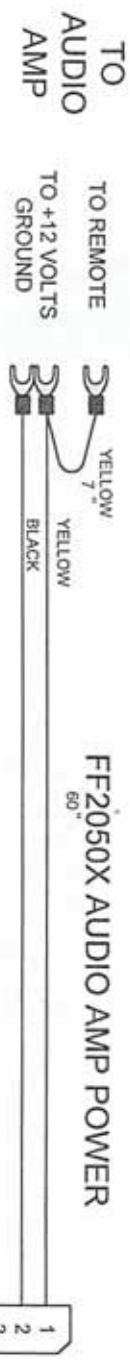
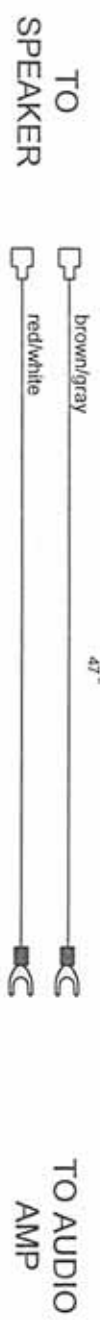


WARNING
 INSTALL STEP DOWN
 #PC20419 TO BRIGHT
 STICKS FOR 220V
 APPLICATIONS



TITLE	FRANTIC FRED WIRING DIAGRAM		
DESCRIPTION	FF2061X AC POWER		
DATE	3/10/98	REVISED	3/25/98
FILENAME	FRED1.VSD	DRAWN BY	RMO
PAGE	4 OF 5		

4 3 2 1

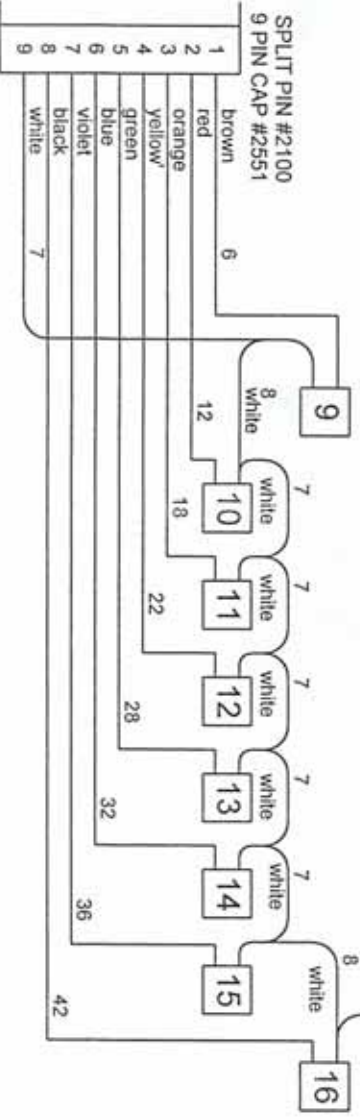
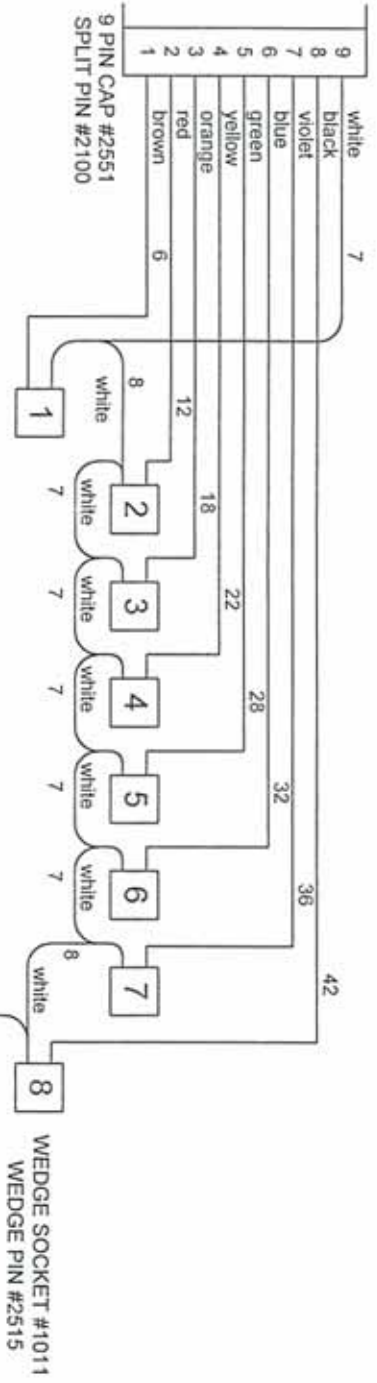


LEGEND

- = .110 FASTON #650
- = .187 FASTON #651
- = .250 FASTON #653T
- = 2514-SPLICE
- = 2513-SPLICE
- = 2558-SPLICE
- = 652 RING TERMINAL
- = 653 SPADE TERMINAL

LOWER CASE = 22 awg wire
UPPER CASE = 18 awg wire

TITLE	FRANTIC FRED WIRING DIAGRAM	
DESCRIPTION	FF2053X SPEAKER	FILENAME FRED1.VSD
	FF2050X AUDIO AMP POWER	DRAWN BY RMO
DATE	3/10/98	REVISED 3/25/98
		PAGE 5 OF 5



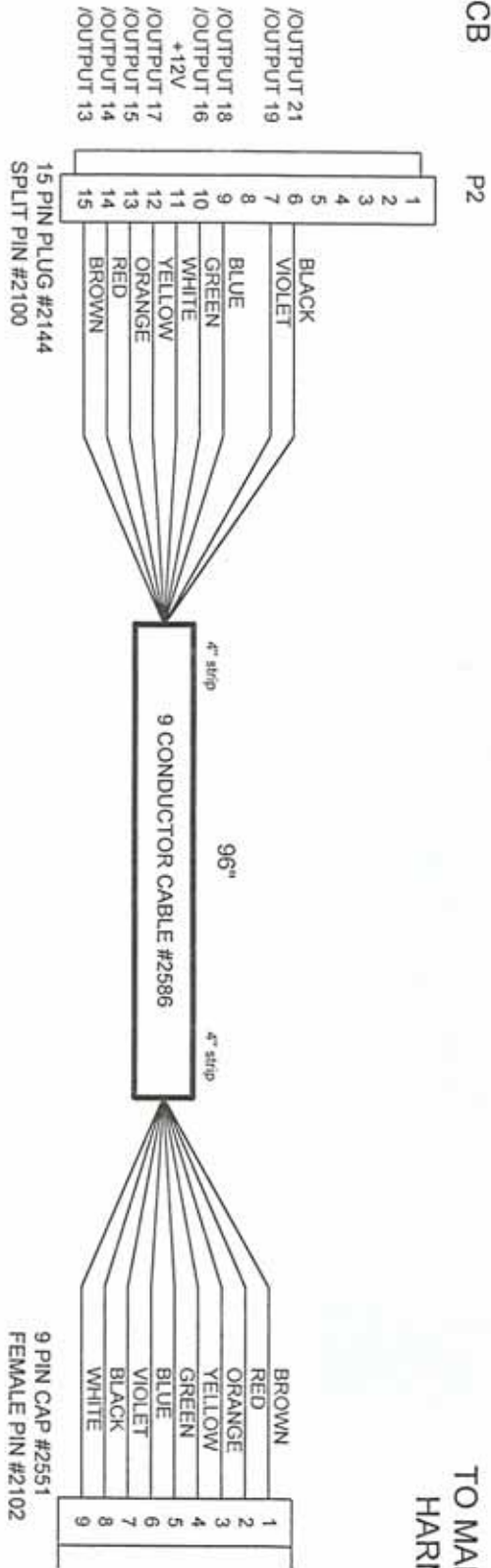
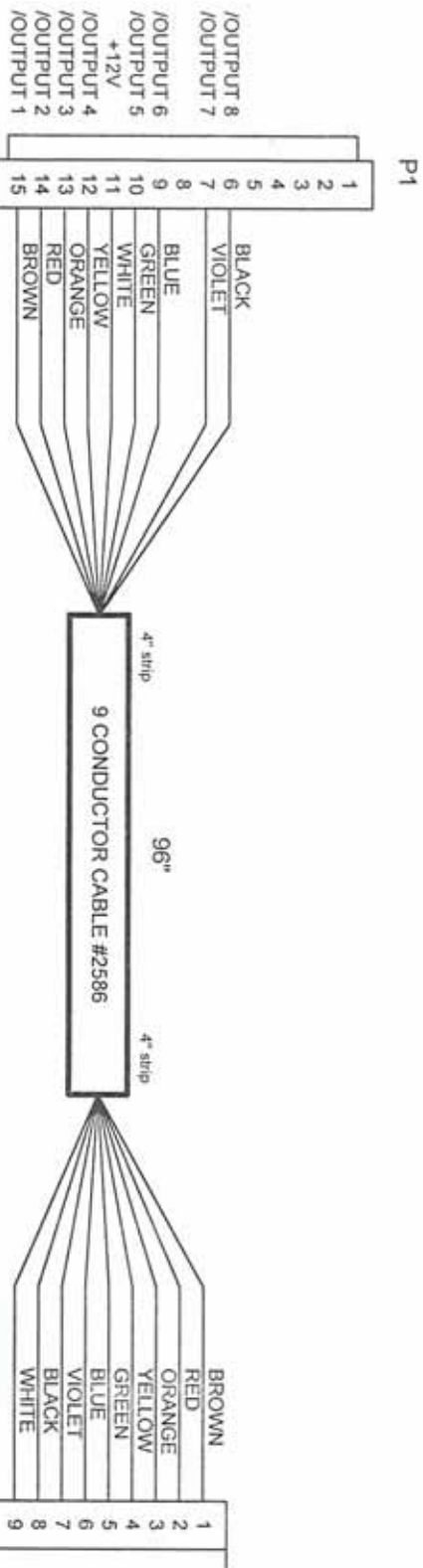
LEGEND

- = 110 FASTON #550
 - = 187 FASTON #651
 - = 250 FASTON #653T
 - = 2514-SPLICE
 - = 2513-SPLICE
 - = 2558-SPLICE
 - = 652 RING TERMINAL
 - = 653 SPADE TERMINAL
- lower case = 22 AWG wire
UPPER CASE = 18 AWG wire

TITLE . FRANTIC FRED WIRING DIAGRAMS

DESCRIPTION FF2058X MARQUEE HARNESS FILENAME FRED1.VSD DRAWN BY RMO

DATE 3/10/98 REVISED 3/25/98 PAGE 1 OF 5



TITLE		FRANTIC FRED WIRING DIAGRAM	
DESCRIPTION		FF2059X	FILENAME FRED1.VSD
DATE		3/10/98	REVISID
DATE		3/25/98	PAGE 2 OF 5
DESCRIPTION		MARQUEE EXT. HARNNESS	DRAWN BY RMO

JAMMA CONNECTOR WIRE COLOR ASSIGNMENTS

WIRE COLOR	SOLDER SIDE	PIN	PIN	PART'S SIDE	WIRE COLOR
BLACK	Ground	A	1	Ground	BLACK
BLACK	Ground	B	2	Ground	BLACK
RED	+ 5 Volts	C	3	+ 5 Volts	RED
RED	+5 Volts	D	4	+ 5 Volts	RED
YELLOW	+12 Volts	E	5		
	KEY	F	6	+12 Volts	YELLOW
	KEY	H	7	KEY	
brown/red	Coin Counter 2	J	8		DUMMY PIN
		K	9	Tix Mot	brown/green
brown/gray	Left Speaker (-)	L	10	Left Speaker (+)	red/gray
brown/white	Right Speaker (-)	M	11	Right Speaker (+)	red/white
yellow/green	Video Green	N	12	Video Red	yellow/red
yellow/white	Video Sync	P	13	Video Blue	yellow/blue
DUMMY PIN		R	14	Video Ground	yellow/black
DUMMY PIN		S	15	Tix Sense	black/blue
black/red	Coin 2	T	16	Coin 1	black/brown
		U	17	Start 1	white
		V	18	Up 1	white/black
		W	19	Down 1	white/brown
DUMMY PIN		X	20	Bonus	white/red
DUMMY PIN		Y	21	Right 1	white/orange
DUMMY PIN		Z	22	Wheel	white/yellow
DUMMY PIN		a	23	Wheel	white/green
violet/blue	Switch G2	b	24	Switch C1	white/blue
violet	Switch D2	c	25	Switch D1	white/violet
violet/gray	Service 2	d	26	Undefined	gray
black	Ground	e	27	Ground	black
black	Ground	f	28	Ground	black