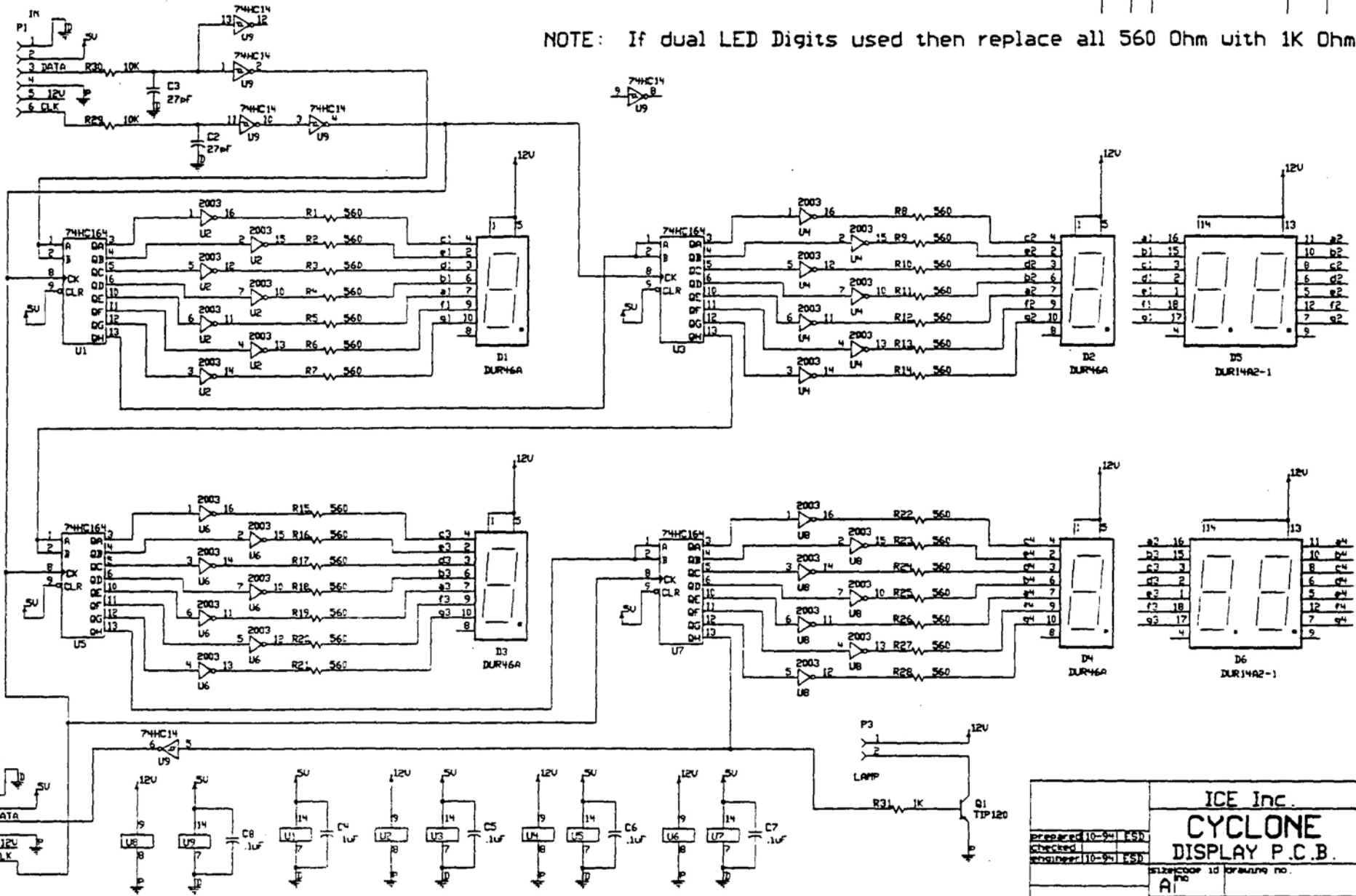


NOTE: If dual LED Digits used then replace all 560 Ohm with 1K Ohm



ICE Inc.
CYCLONE
DISPLAY P.C.B.

Prepared 10-94 ESD
 Checked
 Designer 10-94 ESD

SIZE: 200mm x 100mm
 No. 1